



TZ SlideHandle™

TZ SlideHandle is an intelligent locking device that offers a retrofittable replacement for traditional manual swing-handle data center cabinet locks. Designed to be installed onto a broad range of cabinets and enclosures, the device leverages its embedded micro-processing, integrated sensing and switching capability to offer the next generation of electronic locking.

TZ SlideHandle is powered and controlled using either RS485 serial data communications or dry contact closure via standard UTP Cat5e/Cat6 cabling through a TZ Praetorian Junction or TZ Centurion Bridge. TZ SlideHandle can also be direct connected to standard access control or dry contact closure systems.

Features

- › Simple surface mounted installation on outside of door.
- › Fits most cabinet brands.
- › Connects to control system using RJ45 and Cat5e/6 cabling. Complies with TIA/EIA requirements.
- › Mechanism provides industry standard one quarter turn action for single and multipoint systems.
- › SMA actuated locking mechanism.
- › Defaults to locked when power is removed and incorporates a manual key release.
- › Visual LED status indication.
- › Multiple sensors for door status (locked/closed, unlocked/closed, unlocked/open, locked/open).

Benefits

- › Surface mount design retrofits existing manually keyed cabinet handle latching systems to enable integrated electronic access, monitoring and recording of all access events.
- › Mounting hardware which is suitable for industry standard 25mm wide openings eliminates need for on-site door modifications. Can also be face mounted.
- › RJ-45 based twisted pair cabling infrastructure provides more cost-effective implementation.
- › Offers compatibility with single-point and multi-point latching as well as split French doors.
- › No magnetic emissions eliminates the risk of damaging magnetic storage systems.
- › Maintains the integrity of the cabinet security but also allows authorised personnel to over-ride the system in an emergency.
- › Provides visibility up to 30m; indicates locked / ready to unlock / unlocked doors.
- › Provides real-time monitoring of events, can raise alarms for unauthorised access and provides a complete audit trail to meet compliance requirements.



Specifications Overview

Specifications subject to change to suit particular application requirements.

Physical and Mountings

> Dimensions

mm: 182.3mm tall (207.3mm when open), 43.5mm wide, 35.9mm out from door, 21.2mm in from door.

Inches: 7.17" tall (8.16" when open), 1.71" wide, 1.41" out from door, 0.83" in from door

> Mounting: via 2 x M4 (#8) screws and clamp piece.

> Mounts to doors with standard 25mm x 150mm (5.9" x 1") or 25mm x 125mm (4.9" x 1") opening (with or without center of cutout blanked).

> 5mm max door panel thickness

> Grip dimensions of 3mm to 24mm can be accommodated with standard spacers and locking cams – contact TZ for specific application requirements

Environmental and Performance

> **Operating temperature:** -15°C to +55°C (5°F to 131°F)

> **Survival temperature:** -55°C to +85°C (-67°F to +185°F)

> **Humidity (operating):** 95% RH at 50°C (122°F)

> **Operating cycles:** MTTF > 125,000

> **Ingress protection:** IP 51

Electrical

> **Supply voltage:** 9.0 – 32.0 VDC

> **Power consumption (operating):** < 3.5 W average

> **Power consumption (standby):** < 400 mW

> **RJ45 pin-out:** 1: +Coms | 2: -Coms | 3: AUX-OUT1 | 4: AUX-IN1 | 5: Gnd | 6: AUX-OUT2 | 7: AUX-IN2 | 8: +V

> RS485 communications interface for communication with TZ control systems; closing contact operation for connection to dry contact systems

Standards Compliance

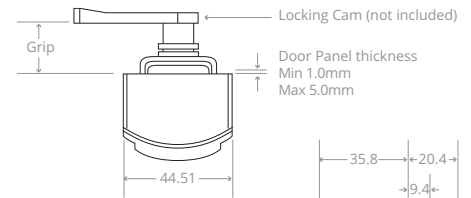
> FCC Part 15, CE, UL (c-us) per IEC/UL/CSA 60950-1

> RoHS compliant

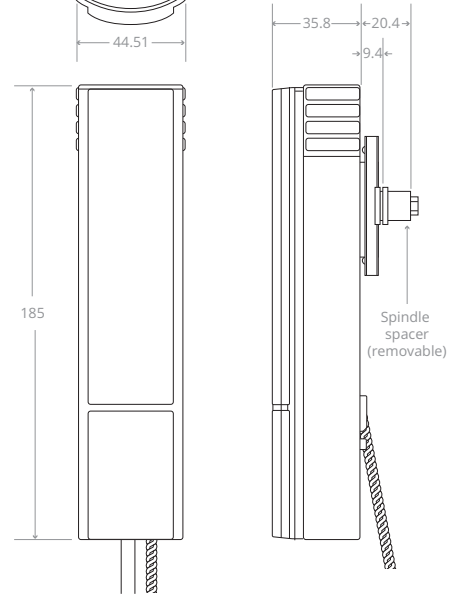
> 1 Year Limited Warranty

Dimensions (mm)

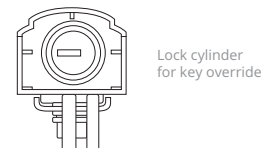
TOP



FRONT & SIDE



UNDERNEATH



REAR

* Mounting Clamp
† 7.9 Square standard locking mount
M6 threaded hole

